

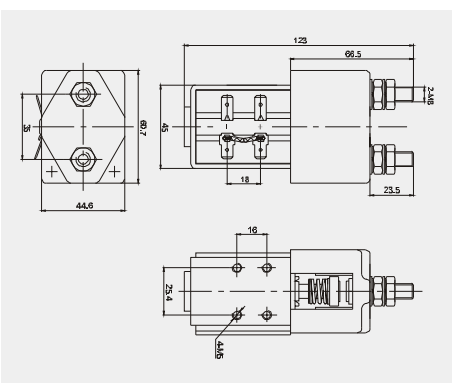


ZLJM-200C

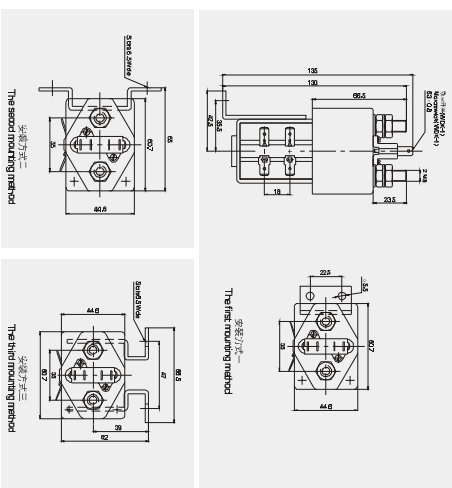
Series latch contactors
系列磁保持型接触器

外形安装图 Configurational mounting diagram

200C 外型安装图
200C configurational mounting diagram



带微动开关WK-1和安装支架外形安装图
with microswitchWK-1 and mounting bracket configurational mounting diagram



产品型号含义 Nomination(nomogram)



使用条件 Use conditions required

环境温度 Ambient temperature: -25~+40℃
 相对湿度 Relative humidity: +20℃≤98%(uplo 98% d +20℃)
 固定处的振动频率 Vibration freq. atthe fixed position:
 3g、1~50Hz 振幅0.5mm
 3g、1~50Hz 振幅0.5mm

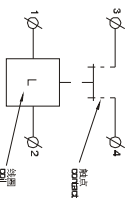
安装方向 Mounting directions: 任意Optional

特殊说明

产品线圈采取正、负脉冲激励(1、2端)、激励时间200ms≤t≤1s线圈不能持续长期通电,操作频率不得超过每分钟6次,并且脉冲应是方波,正脉冲使触点闭合、负脉冲使触点断开,线圈去激励后,接触器触点状态由产品内的永久磁铁保持。
 Product coil is excited by positive andnegative pulse(1, 2points), 200ms≤t≤1s. Longtime continuous energizing is not allowed, Operationfrequency nomore than 6 time/min, it's squarepulse and positive pulse makes the contact close willnegative pulse makes the contact open. After theexcitation, the permanent magnet in product keeps the state ofthe contact.

线路原理图 Circuit diagram

ZLJM-200C
 3、4号触点接线圈(4 contact terminal)
 L-线圈(线圈电压) L-coil (coil voltage)



简要技术参数 Basic technical data

序号 NO.	参数名称 Parameters	产品代号 Product code
1	线圈额定电压 Rated coil volt(V/DC)	ZLJM-200C系列 series
2	(20±5)℃下, 冷态动作电压(V) Operating volt incold state at(20±5)℃	线圈额定电压的(25~70)% (25~70)% of rated coil volt
3	触点电整额定负载电流 Rated load current/ contact circuit(A)	200A
4	触点电整额定电压 Rated volt ofcontact circuit(V/DC)	60
5	100A负载下主触点接触电压降 Contact volt dropout main contactat 100A	不大于80mV not above80mV
6	最小脉冲宽 Min pulse width	200ns
7	介质耐压(相互绝缘的导电部分) Dielectric strength(Between Insulatorelectic parts)	1000VAC 50/60Hz(1 minute)
8	电寿命 Electric life	20,000 Ops.
9	机械寿命 Mechanical life	107万次 100,000 Ops.
10	线圈电流 Coil current	小于700mA <700mA
11	工作规范 Working dry	连续 Continuous

ZLJM-200C.L. · S
 带微动开关 With Microswitch)
 1、2号触点接线圈(1、2 coil terminal)
 L-线圈电压 L-coil voltage
 A、B、C、D为微动开关接线圈(A、B、C、D aux.contact terminal)

